



General Specification
ZeroFlush Vitreous China (ZF-501)

Urinals will be made of Vitreous China with dimensions of; Height- 50cm, Width- 33.8cm, Depth- 32.7cm. Weight- 13.6kg

Product supplied will include ZeroFlush wall hung fixture, one unit integrated wall hanger, built in centre draining housing receptacle to accept vertical trap insert made of ABS plastic. Drain insert, drain tube, reducing rubber drain coupling, odour barrier liquid, installation, maintenance instructions and warranty.

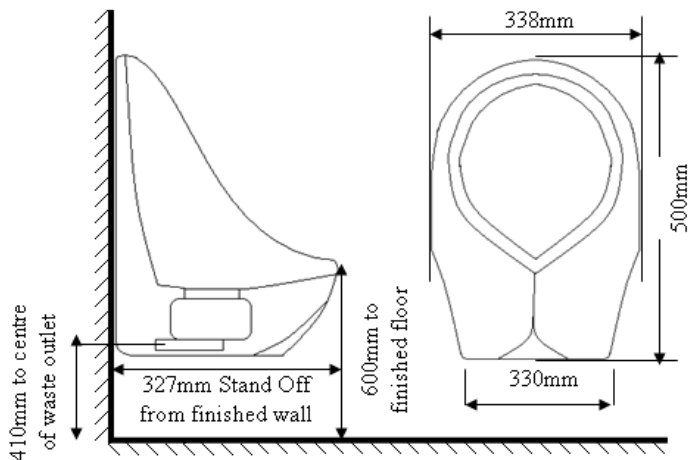
Wall hung urinal with built-in non removable trap housing with a minimum capacity of 1.4 Litres.

ABS insert is to be pushed into place without locking mechanism or tools. Drain insert is to be push fit with bottom seal created when inserts embedded O-Ring is in place within drain housing.

Use standard sanitation practices to maintain fixture. ZeroFlush urinal will be able to withstand periodic pouring of a bucket of water without the loss of liquid sealant. No special cleaning chemicals are required.



Meets or exceeds AS 5200.459 for waterless urinals



Architectural/ Engineering Approval



Phone: 1800 999 010
P.O Box 357 Chirn Park,
Queensland 4215

Facsimile: (07) 5571 2763
Email: heath@zeroflush.com.au
ACN 071 242 825